

宁波众高密封科技有限公司

N I N G B O Z H O N G G A O S E A L T E C H O N L O G Y C O . , L T D



公众号



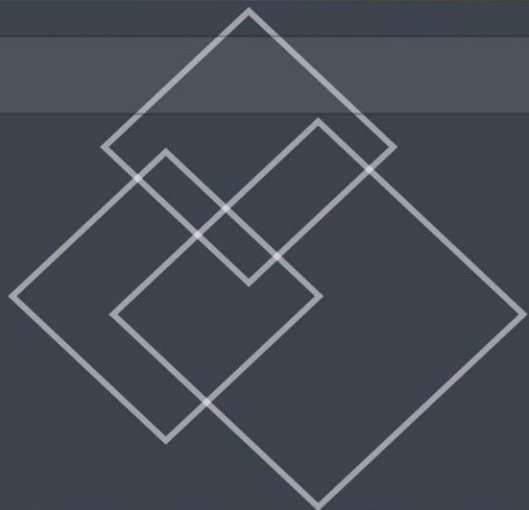
VR场景



宁波众高密封科技有限公司
Ningbo ZhongGao Seal Technology Co., Ltd.

宁波众高密封科技有限公司

Ningbo ZhongGao Seal Technology Co., Ltd.



格莱圈 斯特封



格来圈和斯特封在液压行业使用多年，应用于液压缸之密封系统，无论使用于活塞或活塞杆，均获得良好的评价。此类密封圈主要由二个元件所组成。格来圈为双作用密封，斯特封则为单作用密封圈。



宁波众源密封科技有限公司
Ningbo Zhongyuan Sealing Technology Co., Ltd.

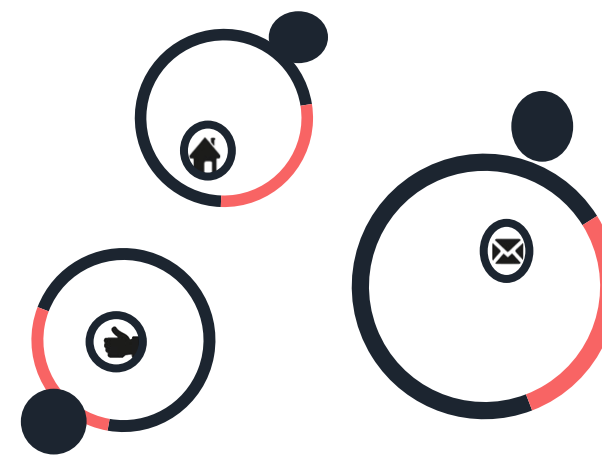
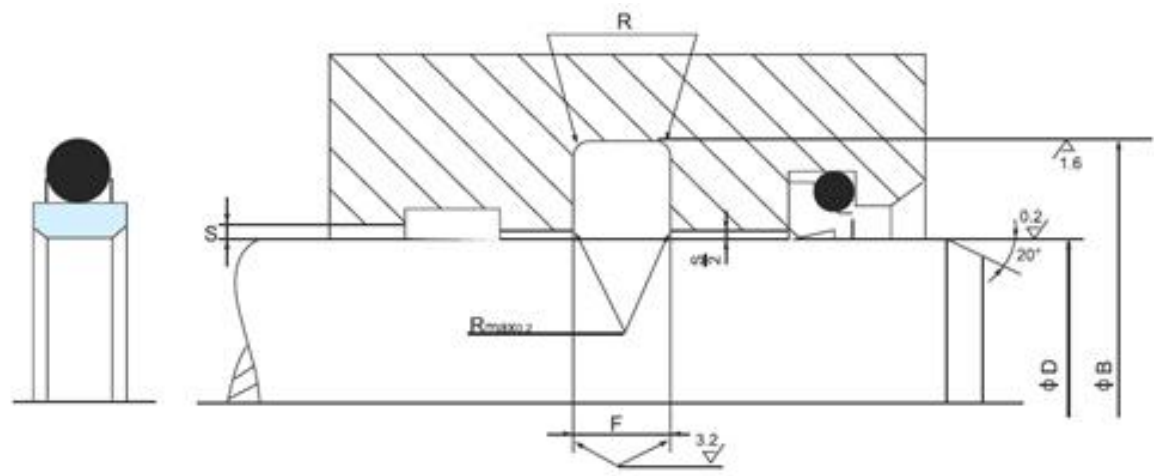
应用领域

适用于石油基液压油、环保安全液压油等（视O型圈材质）可用于往复运动的柱塞和活塞杆，如压力机、挖掘机、冶金机械、装载机、化工机械等场合。





横截面图





规格参数表

孔用斯特封尺寸表

Cylinder diameter 缸筒直径Dh9	Groove Inner Diameter 沟槽内径Bh9	Groove Width 沟槽宽度F+0.2	Item NO. 型号	Cylinder diameter 缸筒直径Dh9	Groove Inner Diameter 沟槽内径Bh9	Groove Width 沟槽宽度F+0.2	Item NO. 型号
8	3.1	2.2	ZGD014-0080	70	54.9	6.3	ZGD014-0700
10	5.1	2.2	ZGD014-0100	75	59.9	6.3	ZGD014-0750
12	7.1	2.2	ZGD014-0120	76.2	61.1	6.3	ZGD014-0762
15	10.1	2.2	ZGD014-0150	80	64.9	6.3	ZGD014-0800
18	10.7	3.2	ZGD014-0180	82.5	67.4	6.3	ZGD014-0825
20	12.7	3.2	ZGD014-0200	85	69.9	6.3	ZGD014-0850
22	14.7	3.2	ZGD014-0220	89	73.9	6.3	ZGD014-0890
25	17.7	3.2	ZGD014-0250	90	74.9	6.3	ZGD014-0900
25.4	18.1	3.2	ZGD014-0254	95	79.9	6.3	ZGD014-0950
28	17.3	4.2	ZGD014-0280	100	84.9	6.3	ZGD014-1000
28.5	17.8	4.2	ZGD014-0285	101.6	86.5	6.3	ZGD014-1016
30	19.3	4.2	ZGD014-0300	105	89.9	6.3	ZGD014-1050
31.7	21.0	4.2	ZGD014-0317	110	94.9	6.3	ZGD014-1100
32	21.3	4.2	ZGD014-0320	114.3	99.2	6.3	ZGD014-1143

Cylinder diameter 缸筒直径ΦDh9			Groove Inner Diameter 沟槽内径	Groove Width 沟槽宽度	Diameter clearance 径向间隙 S max**		Max Radius 最大半径 R	O Ring Inner Diameter O型圈内径	O Ring Diameter O型圈线径
Overloading Series 重载系列	Standard Series 标准系列	Light load Series 轻载系列			0-20Mpa	20-40Mpa			
-	-	-	ΦB h9	F+0.2	0-20Mpa	20-40Mpa	R	-	-
-	8-16.9	17-26.9	D-4.9	2.2	0.6-0.4	0.4-0.3	0.3-0.5	ΦB+0.1~0.2	1.78
-	17-26.9	27-59.9	D-7.3	3.2	0.8-0.5	0.5-0.3	0.5-0.8	ΦB+0.2~0.3	2.62
17-26.9	27-59.9	60-199.9	D-10.7	4.2	0.8-0.5	0.5-0.4	0.8-1.2	ΦB+0.3~0.4	3.53
27-59.9	60-199.9	200-255.9	D-15.1	6.3	1.0-0.6	0.6-0.4	1.2-1.5	ΦB+0.4~0.5	5.33
60-199.9	200-255.9	256-669.9	D-20.5	8.1	1.0-0.6	0.6-0.4	1.5-2.0	ΦB+0.5~0.6	7.00
200-255.9	256-669.9	670-999.9	D-24.0	8.1	1.2-0.7	0.7-0.5	1.5-2.0	ΦB+0.5~0.6	7.00
256-669.9	670-999.9	-	D-27.3	9.5	1.4-0.8	0.8-0.6	2.0-3.0	ΦB+0.6~0.7	8.40



规格参数表

35	24.3	4.2	ZGD014-0350	115	99.9	6.3	ZGD014-1150
36	25.3	4.2	ZGD014-0360	120	104.9	6.3	ZGD014-1200
38	27.3	4.2	ZGD014-0380	125	109.9	6.3	ZGD014-1250
39	28.3	4.2	ZGD014-0390	127	111.9	6.3	ZGD014-1270
40	29.3	4.2	ZGD014-0400	130	114.9	6.3	ZGD014-1300
42	31.3	4.2	ZGD014-0420	132	116.9	6.3	ZGD014-1320
44.5	33.8	4.2	ZGD014-0445	133	117.9	6.3	ZGD014-1330
45	34.3	4.2	ZGD014-0450	135	119.9	6.3	ZGD014-1350
48	37.3	4.2	ZGD014-0480	140	124.9	6.3	ZGD014-1400
50	39.3	4.2	ZGD014-0500	145	129.9	6.3	ZGD014-1450
50.8	40.1	4.2	ZGD014-0508	150	134.9	6.3	ZGD014-1500
52	41.3	4.2	ZGD014-0520	154	138.9	6.3	ZGD014-1540
55	44.3	4.2	ZGD014-0550	155	139.9	6.3	ZGD014-1550
57.1	46.4	4.2	ZGD014-0571	160	144.9	6.3	ZGD014-1600
60	44.9	6.3	ZGD014-0600	165	149.9	6.3	ZGD014-1650
63	47.9	6.3	ZGD014-0630	170	154.9	6.3	ZGD014-1700
63.5	48.4	6.3	ZGD014-0635	175	159.9	6.3	ZGD014-1750
64	48.9	6.3	ZGD014-0640	180	164.9	6.3	ZGD014-1800
65	49.9	6.3	ZGD014-0650	190	174.9	6.3	ZGD014-1900
69.8	54.7	6.3	ZGD014-0698	200	179.5	8.1	ZGD014-2000





宁波众高密封科技有限公司
Ningbo ZhongGao Seal Technology Co., Ltd.

规格参数表

宁波众高密封科技有限公司

Ningbo ZhongGao Seal Technology Co., Ltd.

Cylinder diameter 缸筒直径Dh9	Groove Inner Diameter 沟槽内径Bh9	Groove Width 沟槽宽度F+0.2	Item NO. 型号	Cylinder diameter 缸筒直径Dh9	Groove Inner Diameter 沟槽内径Bh9	Groove Width 沟槽宽度F+0.2	Item NO. 型号
210	189.5	8.1	ZGD014-2100	550	526.0	8.1	ZGD014-5500
220	199.5	8.1	ZGD014-2200	560	536.0	8.1	ZGD014-5600
230	209.5	8.1	ZGD014-2300	570	546.0	8.1	ZGD014-5700
240	219.5	8.1	ZGD014-2400	580	556.0	8.1	ZGD014-5800
250	229.5	8.1	ZGD014-2500	590	566.0	8.1	ZGD014-5900
260	236.0	8.1	ZGD014-2600	600	576.0	8.1	ZGD014-6000
270	246.0	8.1	ZGD014-2700	610	586.0	8.1	ZGD014-6100
280	256.0	8.1	ZGD014-2800	620	596.0	8.1	ZGD014-6200
290	266.0	8.1	ZGD014-2900	630	606.0	8.1	ZGD014-6300
300	276.0	8.1	ZGD014-3000	640	616.0	8.1	ZGD014-6400
310	286.0	8.1	ZGD014-3100	650	626.0	8.1	ZGD014-6500
320	296.0	8.1	ZGD014-3200	660	636.0	8.1	ZGD014-6600
330	306.0	8.1	ZGD014-3300	670	642.7	9.5	ZGD014-6700
340	316.0	8.1	ZGD014-3400	680	652.7	9.5	ZGD014-6800
350	326.0	8.1	ZGD014-3500	690	662.7	9.5	ZGD014-6900





规格参数表

宁波众高密封科技有限公司

Ningbo ZhongGao Seal Technology Co., Ltd.

360	336.0	8.1	ZGD014-3600	700	672.7	9.5	ZGD014-7000
370	346.0	8.1	ZGD014-3700	710	682.7	9.5	ZGD014-7100
380	356.0	8.1	ZGD014-3800	~1000			
390	366.0	8.1	ZGD014-3900				
400	376.0	8.1	ZGD014-4000				
410	386.0	8.1	ZGD014-4100				
420	396.0	8.1	ZGD014-4200				
430	406.0	8.1	ZGD014-4300				
440	416.0	8.1	ZGD014-4400				
450	426.0	8.1	ZGD014-4500				
460	436.0	8.1	ZGD014-4600				
470	446.0	8.1	ZGD014-4700				
480	456.0	8.1	ZGD014-4800				
490	466.0	8.1	ZGD014-4900				
500	476.0	8.1	ZGD014-5000				
510	486.0	8.1	ZGD014-5100				
520	496.0	8.1	ZGD014-5200				
530	506.0	8.1	ZGD014-5300				
540	516.0	8.1	ZGD014-5400				



规格参数表

孔用格来圈尺寸表

Pull Rod Diameter 缸筒直径 Dh9	Groove Outer Diameter 沟槽内径Bh9	Groove Width 沟槽宽度 F+0.2	Item NO. 型号	Pull Rod Diameter 缸筒直径 Dh9	Groove Outer Diameter 沟槽内径Bh9	Groove Width 沟槽宽度 F+0.2	Item NO. 型号
8	3.1	2.2	ZGF044-0080	65	54.0	4.2	ZGF044-0650
10	5.1	2.2	ZGF044-0100	69.8	58.8	4.2	ZGF044-0698
12	7.1	2.2	ZGF044-0120	70	59.0	4.2	ZGF044-0700
15	7.5	3.2	ZGF044-0150	70	54.5	6.3	ZGF042-0700
16	8.5	3.2	ZGF044-0160	75	64.0	4.2	ZGF044-0750
18	10.5	3.2	ZGF044-0180	76.2	65.2	4.2	ZGF044-0762
20	12.5	3.2	ZGF044-0200	80	64.5	6.3	ZGF044-0800
22	14.5	3.2	ZGF044-0220	80	59.0	8.1	ZGF042-0800
24	16.5	3.2	ZGF044-0240	82.5	67.0	6.3	ZGF044-0825
25	17.5	3.2	ZGF044-0250	85	69.5	6.3	ZGF044-0850
25.4	17.9	3.2	ZGF044-0254	85	64.0	8.1	ZGF044-0850
28	20.5	3.2	ZGF044-0280	89	73.5	6.3	ZGF044-0890
28.5	21.0	3.2	ZGF044-0285	90	74.5	6.3	ZGF044-0900
30	22.5	3.2	ZGF044-0300	90	69.0	8.1	ZGF044-0900
31.7	24.2	3.2	ZGF044-0317	95	79.5	6.3	ZGF044-0950





规格参数表

32	24.5	3.2	ZGF044-0320	95	74.0	8.1	ZGF042-0950
35	27.5	3.2	ZGF044-0350	100	84.5	6.3	ZGF044-1000
36	28.5	3.2	ZGF044-0360	100	79.0	8.1	ZGF042-1000
38	30.5	3.2	ZGF044-0380	101.6	86.1	6.3	ZGF044-1016
39	31.5	3.2	ZGF044-0390	105	89.5	6.3	ZGF044-1050
40	29.0	4.2	ZGF044-0400	105	84.0	8.1	ZGF042-1050
42	31	4.2	ZGF044-0420	110	94.5	6.3	ZGF044-1100
44.5	33.5	4.2	ZGF044-0445	110	89.0	8.1	ZGF042-1100
45	34	4.2	ZGF044-0450	114.3	98.8	6.3	ZGF042-1100
48	37.0	4.2	ZGF044-0480	115	99.5	6.3	ZGF044-1143
50	39.0	4.2	ZGF044-0500	115	94.0	8.1	ZGF044-1050
50.8	39.8	4.2	ZGF044-0508	120	104.5	6.3	ZGF042-1150
52	41.0	4.2	ZGF044-0520	120	99.0	8.1	ZGF044-1200
55	44.0	4.2	ZGF044-0550	125	109.5	6.3	ZGF044-1250
57.1	46.1	4.2	ZGF044-0571	125	104.0	8.1	ZGF042-1250
60	49.0	4.2	ZGF044-0600	127	111.5	6.3	ZGF044-1270
63	52.0	4.2	ZGF044-0630	130	114.5	6.3	ZGF044-1300
63.5	52.5	4.2	ZGF044-0635	130	109.0	8.1	ZGF042-1300
64	53.0	4.2	ZGF044-0640	132	116.5	6.3	ZGF044-1320





宁波众高密封科技有限公司
Ningbo ZhongGao Seal Technology Co., Ltd.

规格参数表

宁波众高密封科技有限公司

Ningbo ZhongGao Seal Technology Co., Ltd.

Cylinder diameter 缸筒直径60Dh9	Groove Inner Diameter 沟槽内径 Bh9	Groove Width 沟槽宽度 F+0.2	Item NO 型号.	Cylinder diameter 缸筒直径Dh9	Groove Inner Diameter 沟槽内径 Bh9	Groove Width 沟槽宽度 F+0.2	Item NO. 型号.
133	112.0	8.1	ZGF044-1330	410	385.5	8.1	ZGF044-4100
135	114.0	8.1	ZGF044-1350	420	395.5	8.1	ZGF044-4200
140	119.0	8.1	ZGF044-1400	430	405.5	8.1	ZGF044-4300
145	124.0	8.1	ZGF044-1450	440	415.5	8.1	ZGF044-4400
150	129.0	8.1	ZGF044-1500	450	425.5	8.1	ZGF044-4500
154	133.0	8.1	ZGF044-1540	460	435.5	8.1	ZGF044-4600
155	134.0	8.1	ZGF044-1550	470	445.5	8.1	ZGF044-4700
160	139.0	8.1	ZGF044-1600	480	455.5	8.1	ZGF044-4800
165	144.0	8.1	ZGF044-1650	490	465.5	8.1	ZGF044-4900
170	149.0	8.1	ZGF044-1700	500	475.5	8.1	ZGF044-5000
175	154.0	8.1	ZGF044-1750	510	485.5	8.1	ZGF044-5100
180	159.0	8.1	ZGF044-1800	520	495.5	8.1	ZGF044-5200
190	169.0	8.1	ZGF044-1900	530	505.5	8.1	ZGF044-5300
200	179.0	8.1	ZGF044-2000	540	515.5	8.1	ZGF044-5400
210	189.0	8.1	ZGF044-2100	550	525.5	8.1	ZGF044-5500
220	199.0	8.1	ZGF044-2200	560	535.5	8.1	ZGF044-5600
230	209.0	8.1	ZGF044-2300	570	545.5	8.1	ZGF044-5700





规格参数表

宁波众高密封科技有限公司

Ningbo ZhongGao Seal Technology Co., Ltd.

240	219.0	8.1	ZGF044-2400	580	555.5	8.1	ZGF044-5800
250	229.0	8.1	ZGF044-2500	590	565.5	8.1	ZGF044-5900
260	239.0	8.1	ZGF044-2600	600	575.5	8.1	ZGF044-6000
270	249.0	8.1	ZGF044-2700	610	585.5	8.1	ZGF044-6100
280	259.0	8.1	ZGF044-2800	620	595.5	8.1	ZGF044-6200
290	269.0	8.1	ZGF044-2900	630	605.5	8.1	ZGF044-6300
300	279.0	8.1	ZGF044-3000	640	615.5	8.1	ZGF044-6400
310	289.0	8.1	ZGF044-3100	650	625.5	8.1	ZGF044-6500
320	299.0	8.1	ZGF044-3200	660	635.5	8.1	ZGF044-6600
330	305.0	8.1	ZGF044-3300	670	642.0	9.5	ZGF044-6700
340	315.5	8.1	ZGF044-3400	680	652.0	9.5	ZGF044-6800
350	325.5	8.1	ZGF044-3500	690	662.0	9.5	ZGF044-6900
360	335.5	8.1	ZGF044-3600	700	672.0	9.5	ZGF044-7000
370	345.5	8.1	ZGF044-3700	710	682.0	9.5	ZGF044-7100
380	355.5	8.1	ZGF044-3800	~1000			
390	365.5	8.1	ZGF044-3900				
400	375.5	8.1	ZGF044-4000				





宁波众高密封科技有限公司
Ningbo ZhongGao Seal Technology Co., Ltd.

公司简介

宁波众高密封科技有限公司

Ningbo ZhongGao Seal Technology Co., Ltd.



宁波众高密封科技有限公司是集设计，生产，销售，经销为一体的专业密封原件制造商，工厂位于江西，深圳，目前拥有9000多平米的现代化厂房，拥有员工300余人，资深技术人员40余人



宁波众高密封科技有限公司
Ningbo ZhongGao Seal Technology Co., Ltd.

宁波众高密封科技有限公司

Ningbo ZhongGao Seal Technology Co., Ltd.



我们拥有从硫化成型到最终出货的全套先进生产设备，采用与国际标准相同的先进生产工艺，配有较齐全的实验检测设备，能对各种橡胶材料物性、产品性能进行较全面的实验和检测。我们拥有最专业的技术团队能整合您的密封方案提供最专业的建议。



宁波众高密封科技有限公司
Ningbo ZhongGao Seal Technology Co., Ltd.

宁波众高密封科技有限公司

Ningbo ZhongGao Seal Technology Co., Ltd.



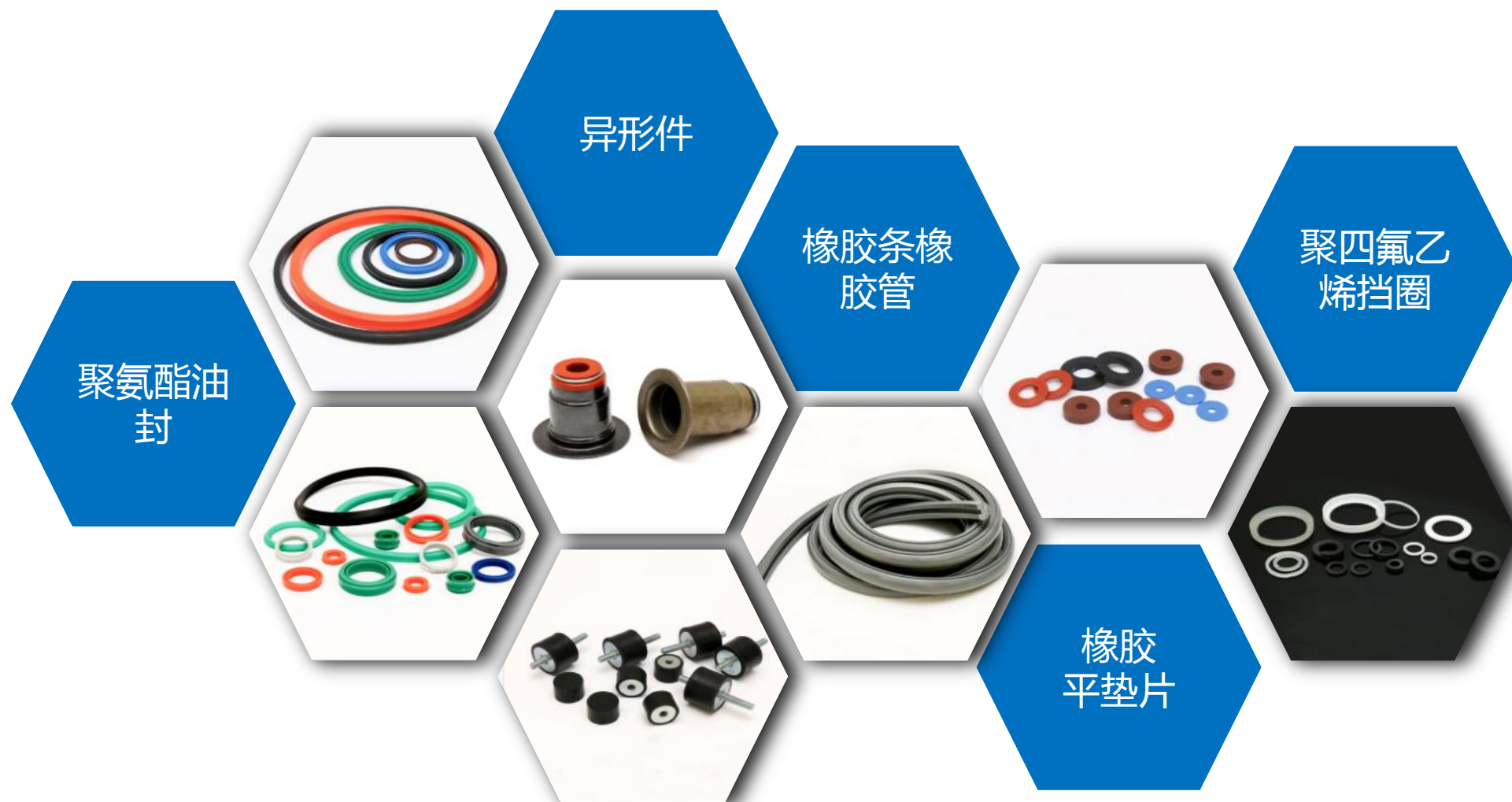
公司主要产品有：O型圈，星型圈，Y型圈，D型圈，橡胶平垫，ED圈，橡胶胶条，橡胶球，各类骨架油封，格来圈斯特封，聚氨酯油封，气动密封以及按照客户需求设计的各类橡胶杂件。



宁波众高密封科技有限公司
Ningbo ZhongGao Seal Technology Co., Ltd.

宁波众高密封科技有限公司

Ningbo ZhongGao Seal Technology Co., Ltd.



产品主要为汽车，园林灌溉设备，液压，气动，煤矿机械，医疗，五金，卫浴，饮水设备等行业进行专业的配套服务。

权威认证

Authoritative certification

s & Chevron Seals



KTW W270

KTW (德国饮用水行业非金属部件的检测实验认可)代表德国联邦健康部门饮用水系统选材与健康评估权威部门,它是德国DVGW的实验室。KTW 是2003成立的强制监管机关。要求供应商符合DVGW (德国气体与水协会)的第W 270项条例“微生物在非金属材料上的传播”。这个标准主要保护饮用水不受生物杂质污染。W 270目前也是法律规定的执行规范。KTW测试的标准是EN681-1, W270的测试标准就是W270。目前所有出口欧洲的饮用水系统及辅料都必须出具KTW认证。因此,中国饮用水系统及辅料如果想要出口到欧洲国家,必须通过 KTW认证。KTW已经获得世界卫生组织(WHO)对饮用水安全认证规范的权威认定。

REACH

REACH是欧盟规章《化学品注册、评估、许可和限制》(REGULATION concerning the Registration, Evaluation, Authorization and Restriction of Chemicals)的简称,是欧盟建立的,并于2007年6月1日起实施的化学品监管体系。这是一个涉及化学品生产、贸易、使用安全的法规提案,法规旨在保护人类健康和环境安全,保持和提高欧盟化学工业的竞争力,以及研发无毒无害化合物的创新能力,防止市场分裂,增加化学品使用透明度,促进非动物实验,追求社会可持续发展等。REACH指令要求凡进口和在欧洲境内生产的化学品必须通过注册、评估、授权和限制等一组综合程序,以更好更简单地识别化学品的成分来达到确保环境和人体安全的目的。

WRAS(Water Research Advisory Scheme)认证是指水务法规咨询计划,WRAS是英国饮用水安全方面的认证。Intertek China、WRC-NSF及KIWA-UK是WRAS认可的实验室!

水务法规咨询计划(WRAS)是英国水工业的认证计划,由此计划认可的产品显示了它符合1999年供水系统(水配件)的法规和其修订版的要求。

计划的主要目标是避免水的:浪费 误用 滥用 不当的消费,不精确度量或污染物。

此项认证是通往英国市场的必须许可,虽非强制,但已是惯例,大凡水公司在提供水源时必须验收的手续之一是查看是否有符合相关标准要求的认证,WRAS的认可是最有说服力的证明,没有的将没有供水资格。



美国食品和药物管理局(Food and Drug Administration)简称FDA, FDA 是美国政府在健康与人类服务部(DHHS)和公共卫生部(PHS)中设立的执行机构之一。作为一家科学管理机构, FDA 的职责是确保美国本国生产或进口的食品、化妆品、药物、生物制剂、医疗设备和放射产品的安全。它是最早以保护消费者为主要职能的联邦机构之一。



watermark是澳大利亚标准局(Standards Australia Limited)的认证标志。认证的产品包括水龙头、各种水阀、水管、水箱配件、花洒、浴缸、管接头等供水、排污类产品。WATERMARK 是由独立认证机构所提供的产品质量认证,它确保产品符合澳洲相关的卫浴法规以及产品标准。根据澳洲的卫浴法规,所有在澳洲安装的卫浴产品需要强制进行此项认证。



LFGB认证,又称《食品、烟草制品化妆品和其它日用品管理法》是德国食品卫生管理方面最重要的基本法律文件,是其它专项食品卫生法律、法规制定的准则和核心。但是近年来也有所修改,主要是和欧洲标准相匹配。



RoHS是由欧盟立法制定的一项强制性标准,它的全称是《关于限制在电子电器设备中使用某些有害成分的指令》(Restriction of Hazardous Substances)。该标准已于2006年7月1日开始正式实施,主要用于规范电子电气产品的材料及工艺标准,使之更加有利于人体健康及环境保护。该标准的目的在于消除电机电子产品中的铅、汞、镉、六价铬、多溴联苯和多溴二苯醚共6项物质,并重点规定了铅的含量不能超过0.1%。



宁波众高密封科技有限公司
Ningbo ZhongGao Seal Technology Co., Ltd.

宁波众高密封科技有限公司

Ningbo ZhongGao Seal Technology Co., Ltd.



ISOTS16949



Test Report No. NGBEC1300495001 Date: 18 Apr 2013 Page 1 of 12
(SVHC)

NINGBO ZHONGGAO SEAL TECHNOLOGY CO., LTD
ROOM 910, BUILDING 311, JIANGNAN-YIPIN GARDEN, HI-TECH ZONE, NINGBO, CHINA

The following sample(s) was/were so certified and identified on behalf of the clients as: NBR O-ring

SGS Job No.: NP13-000467-NB

Date of Sample Received: 07 Apr 2013

Testing Period: 07 Apr 2013 - 18 Apr 2013

Test Requested: As requested by client, SVHC screening is performed according to (i) One Hundred and thirty eight (138) substances in the Candidate List of Substances of Very High Concern (SVHC) for authorization published by European Chemicals Agency (ECHA) on and before Dec 19, 2012 regarding Regulation (EC) No 1907/2006 concerning the REACH.

Test Results: Please refer to next page(s).

Summary:

According to the specified scope and analytical techniques, concentrations of tested SVHC are $\leq 0.1\%$ (w/w) in the submitted sample.	PASS
---	------

Signed for and on behalf of
SGS-CSTC Ltd.

Iris Xiao
Iris Xiao
Approved Signatory



Reach 英文版1



Test Report No. NGBEC1300495001 Date: 18 Apr 2013 Page 2 of 12
(SVHC)

Remark:

(1) The chemical analysis of specified SVHC is performed by means of currently available analytical techniques against the following SVHC related documents published by ECHA:
<http://echa.europa.eu/web/guest/candidate-list-table>
These lists are under evaluation by ECHA and may subject to change in the future.

(2) Concerning article(s):
In accordance with Regulation (EC) No 1907/2006, any EU producer or importer of articles shall notify ECHA, in accordance with paragraph 4 of Article 7, if a substance meets the criteria in Article 57 and is identified in accordance with Article 59(1) of the Regulation, if (a) the substance in the Candidate List is present in those articles in quantities totalling over one tonne per producer or importer per year; and (b) the substance in the Candidate List is present in those articles above a concentration of 0.1% weight by weight (w/w).

Article 33 of Regulation (EC) No 1907/2006 requires supplier of an article containing a substance meeting the criteria in Article 57 and identified in accordance with Article 59(1) in a concentration above 0.1% weight by weight (w/w) shall provide the recipient of the article with sufficient information, available to the supplier, to allow safe use of the article including, as a minimum, the name of that substance in the Candidate List.

SGS adopts the interpretation of ECHA for SVHC in article unless indicated otherwise. Detail explanation is available at the following link:
http://webstg.cdn.sgs.net/comprach/documents/SGS-CTS_SVHC-paper-EN-11.pdf

(3) Concerning material(s):
Test results in this report are based on the tested sample. This report refers to testing result of tested sample submitted as homogenous material(s). In case such material is being used to compose an article, the results indicated in this report may not represent SVHC concentration in such article. If this report refers to testing result of composite material group by equal weight proportion, the material in each composite test group may come from more than one article.

If the sample is a substance or mixture, and it directly exports to EU, client has the obligation to comply with the supply chain communication obligation under Article 31 of Regulation (EC) No 1907/2006 and the conditions of Authorization of substance of very high concern included in the Annex XIV of the Regulation (EC) No 1907/2006.

(4) Concerning substance and preparation:
If a SVHC is found over 0.1% (w/w) and/or the specific concentration limit which is set in Regulation (EC) No 1372/2008 and No 790/2009, client is suggested to prepare a Safety Data Sheet (SDS) against the SVHC to comply with the supply chain communication obligation under Regulation (EC)

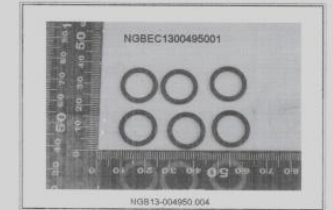


Reach 英文版2



Test Report No. NGBEC1300495001 Date: 18 Apr 2013 Page 12 of 12
(SVHC)

Sample photo:



SGS authenticate the photo on original report only

*** End of Report ***



Reach 英文版12